

# WEIGHMORE Flow Scale

## Single Conveyor

Built Better... Because We Care!



For smaller bulk materials, Vande Berg Scales offers you our patented WeighMore® single conveyor flow scale. This scale is designed to save you time and labor by eliminating the need to manually transfer product to a remote static scale. The scale operates in a continuous operation mode and accurately gathers accumulated weight totals regardless of product spacing or flow. This scale is typically used for bulk material measuring of smaller granular products.

Unlike other conveyor's bulk, bin, and static weighing systems, the WeighMore® single conveyor flow scale drastically reduces the amount of manual interaction required in determining accurate accumulated weights. This makes it ideal for unattended applications.

After weighing, the product is deposited to the appropriate area. The scale is directly connected to your plant's control system for immediate updating of information. Vande Berg Scales offers flexibility in scale design to ensure the system fits each customer's specific needs.



*Single Conveyor Flow scale for accumulating weights*



The WeighMore® single conveyor flow scale design is based on the type of product being weighed, the speed of product flow, the amount of space available for the scale, and the projected growth of your company's production.

The WeighMore® single conveyor flow scale uses an easy-to-clean stainless steel construction and is entirely wash down and corrosion resistant to stand up to harsh operating environments. The conveyor is constructed of USDA accepted materials and is acceptable for direct contact with food.



*You Want It, We'll Make It.*



Built with **food safety** in mind.

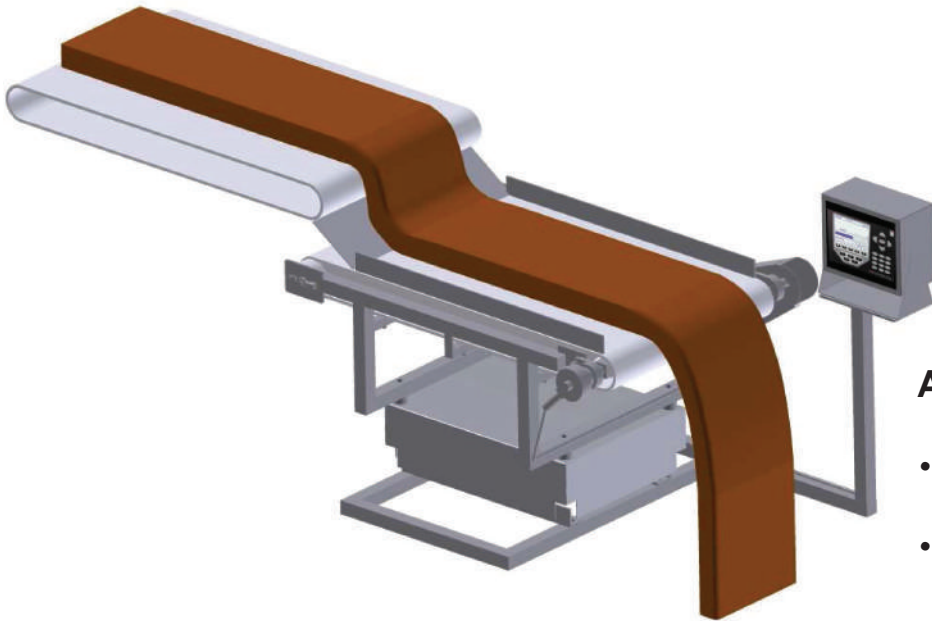
# VANDE BERG

# S C A L E S

Division of VBS, Inc.

770 7th St NW • Sioux Center, IA 51250  
Fax 712.722.0900 • 712.722.1181  
info@vbssys.com • www.vbssys.com

The WeighMore® Flow Scale saves processing facilities valuable time and labor by eliminating the need to manually transfer product to a remote static scale.



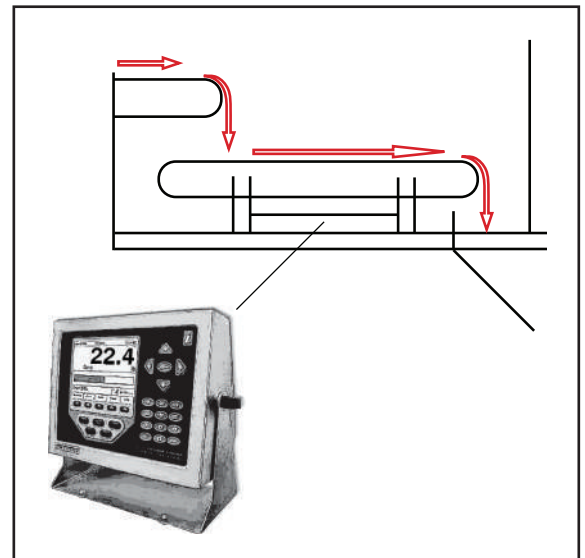
*Illustration shows a continuous flow being weighed in motion*

### Applications:

- Small food product such as fruits, vegetables, popcorn, onion rings, etc.
- Granular materials such as salt, pepper, and other spices
- Legumes such as beans, peas, etc.
- Nuts such as peanuts, cashews, etc.
- Bulk material handling of small product
- Cereals
- Dry chemicals

### Features/Specifications:

- Weighs with high accuracy of less than 1% error
- Weighs granular non-spaced product
- Eliminates the need to transfer product to a remote scale
- Bulk Material handling
- Reduces the amount of manual labor required in determining accurate bulk weights
- Accurately weighs inconsistently spaced products
- Includes USDA accepted plastic conveyor belts
- Uses corrosion resistant materials to meet your strict wash down and chemical requirements
- Is rated for harsh operating environments
- Specifications are custom designed for your application



*You Want It, We'll Make It.*

# VANDE BERG S C A L E S

Division of VBS, Inc.

770 7th St NW • Sioux Center, IA 51250  
Fax 712.722.0900 • 712.722.1181  
info@vbssys.com • www.vbssys.com

111313.15